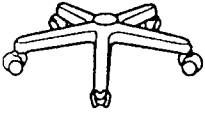

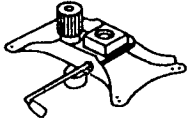



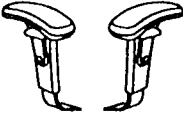



# BOSS Office Products

www.bossschair.com

Assembly Instructions in English  
(Instrucciones en español esta atras)

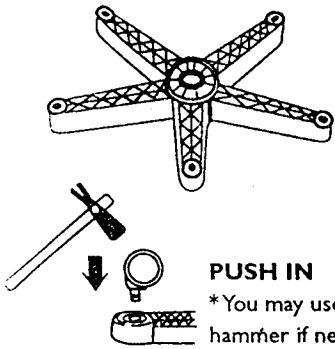
 <p>Five Star Nylon Base w/ Casters (x1)</p>	 <p>Back Cushion (x1)</p>	 <p>Control Mechanism (x1)</p>	 <p>Screws for Back Tube (x4) &amp; control mechanism (x4)</p>
 <p>Pneumatic Lifter w/cover (x1)</p>	 <p>Seat Cushion (x1)</p>	 <p>Set of Armrests (x2)</p>	 <p>Screws for Armrest (x6)</p>

Model No:  
B580

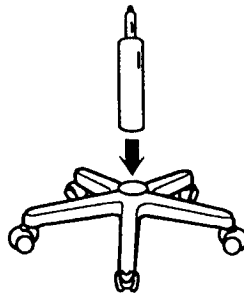


**Please unscrew all screws from cushion before assembly**

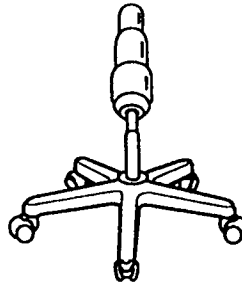
## STEP 1



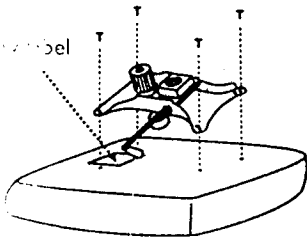
## STEP 2



## STEP 3

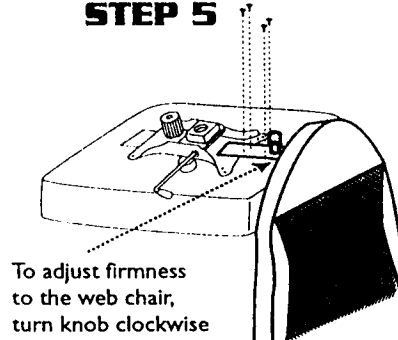


## STEP 4

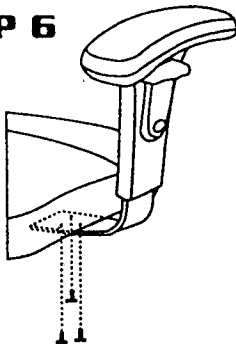


\* When sitting on the chair, the control lever **MUST** be on your right hand side beneath the seat. It will not work if the lever is on your left hand side.

## STEP 5

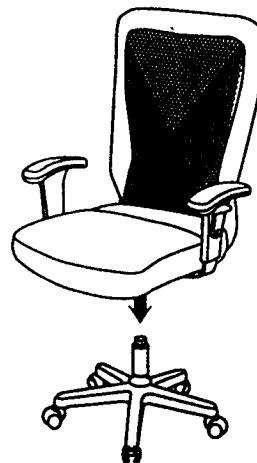


## STEP 6



## STEP 7

\* Make sure you firmly connect the seat into the pneumatic lifter by using your body weight to bounce on the seat.



### OPERATING INSTRUCTIONS FOR SEAT HEIGHT ADJUSTMENT:

To lower the seat height, sit on the chair while pulling the lever upwards.

To raise the seat height, remove your body weight from the seat while pulling the same lever upwards.

To lock your chair in the upright position, push the lever beneath the seat inwards towards the center of the chair.

To unlock the upright lock, pull the same lever outwards.

### OPERATING INSTRUCTIONS FOR TENSION ADJUSTMENT:

(Located in the front and center beneath the seat)

Turning the knob counter-clockwise decreases the tension for lighter users. Turning it clockwise increases the tension for heavier users.

**Customer Service Hotline: 1-800-593-1888**

Note: Please make sure all screws are completely tightened. It is important to check and tighten all screws every two to three months, or as needed as they may loosen due to normal wear and tear.