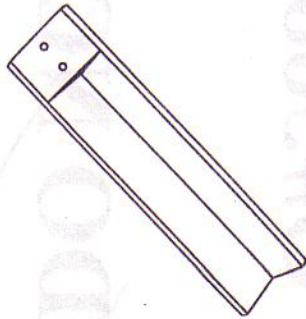
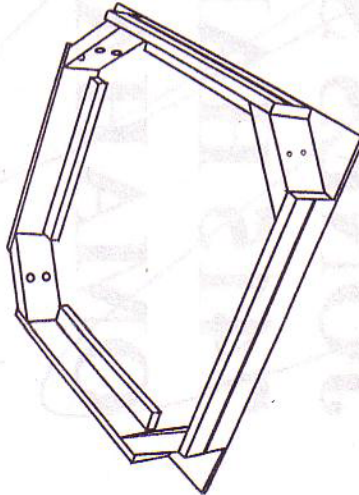


BTM22 BT022

(1)x4



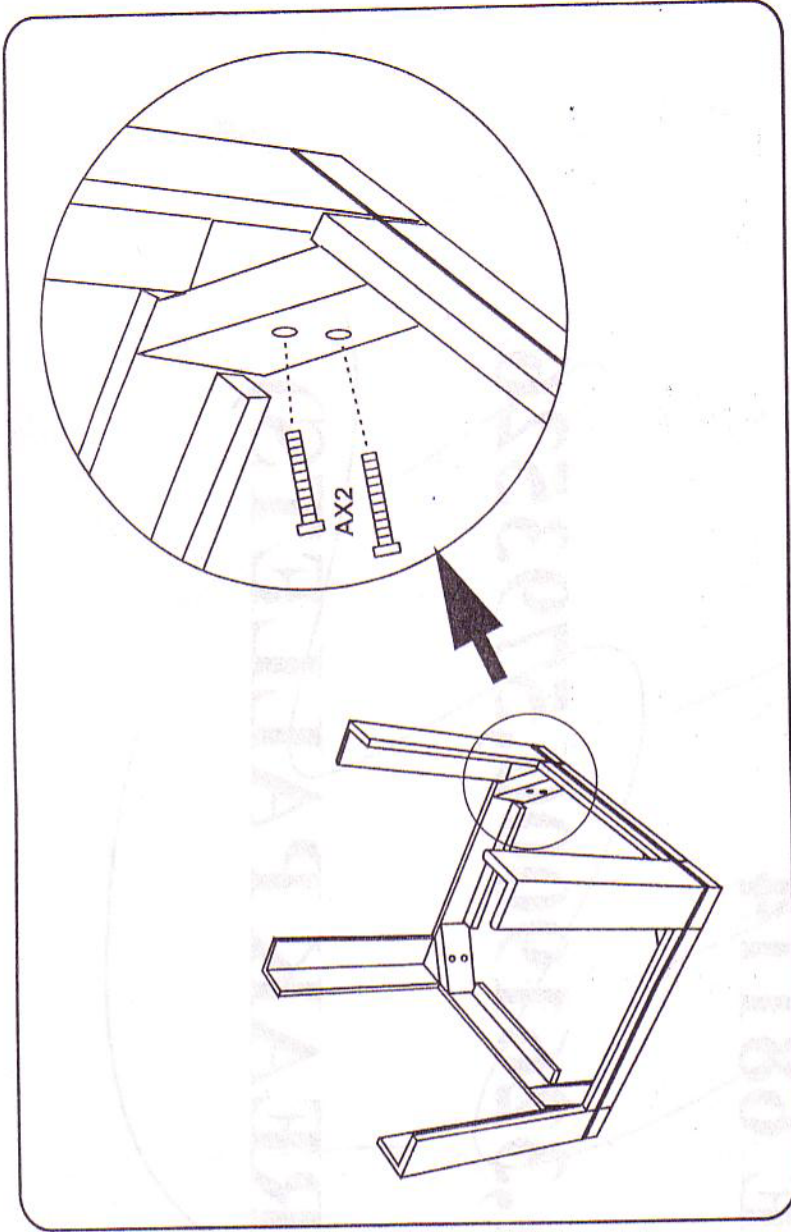
(2)x1



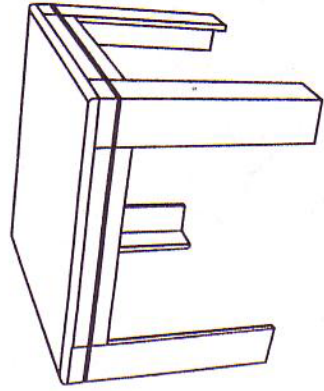
M6X50



(A)x8



1. Lay table top upside down on solid protected surface;
 2. Match up the number marked on table top & table leg before insert the screws;
- * Max. weight capacity: 155 Lbs.



Customer Service Hotline:
1-800-593-1888

For further assembly instructions,
please visit our web site at
www.bosschair.com