

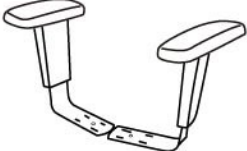

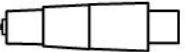

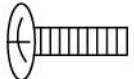

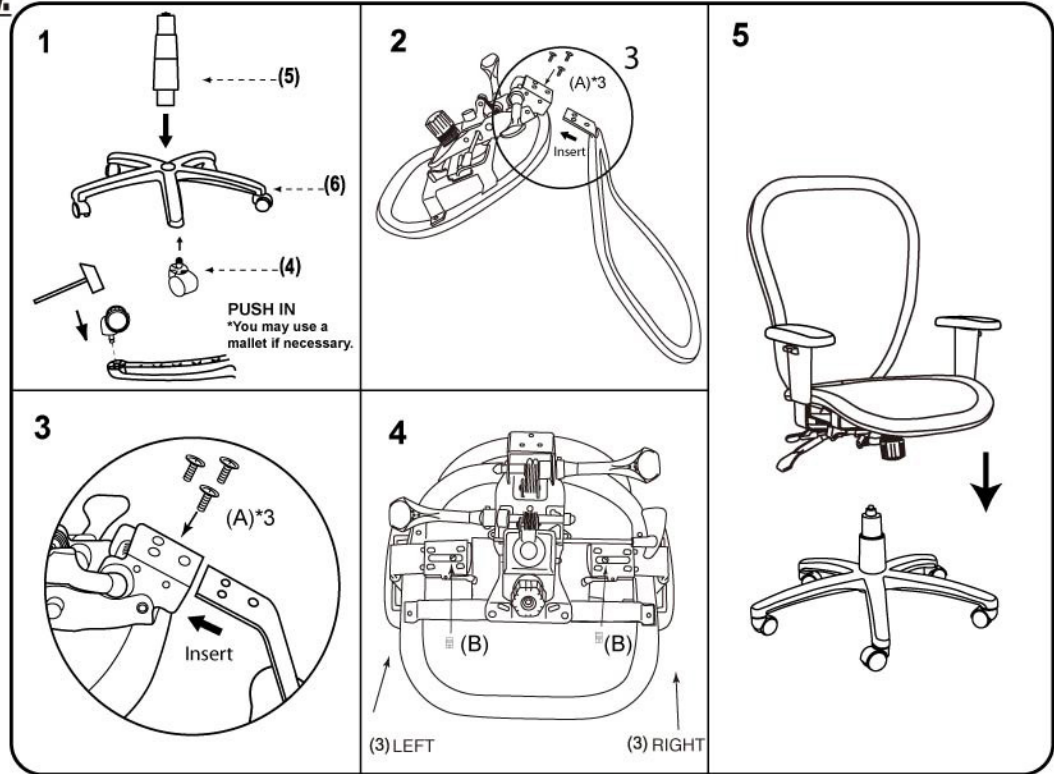


**Please unscrew all hardware from back bar before assembly.**  
**Por favor de destornillar todos los tornillos del cojín antes de ensamblar la silla.**

MODEL: B6018 Q2C600HB CVS6018

(1)x1	(2)x1	(3)x1 (L)x1 (R)
 Back	 Seat & YMB630 3 Paddle Mechanism	 Interchangeable arm
(4)x 5	(5)x1	(6)x1
 Caster	 Gas Lift W/ Cover	 Nylon Base
(A)X3  M8X22 Back Bar Screws	(B)X2  M10 ARM BRACKET SCREW	



**Insert and loosely tighten all screws. When assembly is completed, fully tighten all screws before using. This chair is only intended for sitting. Any other use will void the warranty.**



**Customer Service Hotline: 1-800-593-1888**  
**For further assembly instructions,**  
**please visit our website at [www.bosschair.com](http://www.bosschair.com)**

