







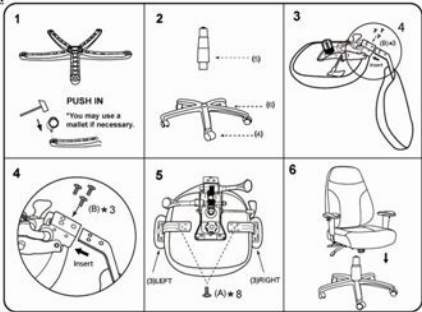


**Please unscrew all hardware from cushion before assembly.**  
**Por favor de destornillar todos los tornillos del cojín antes de ensamblar la silla.**

**MODEL : B770 OD-01**

(1)x1  Back	(2)x1  Seat & Mechanism	(3)x1 (L)x1 (R)  Right & Left Arm
(4)x 5  Casters	(5)x1  Gas Lift	(6)x1  Base
<p>(A)X8  M6X30 Arm Screws</p> <p>(B)X3  M8X22 Back Bar Screws</p>		



Insert and loosely tighten all screws. When assembly is completed, fully tighten all screws before using. This chair is only intended for sitting. Any other use will void the warranty.



**Customer Service Hotline: 1-800-593-1888**  
 For further assembly instructions,  
 please visit our website at [www.bosschair.com](http://www.bosschair.com)