

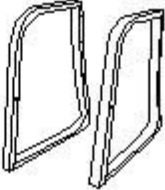



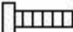
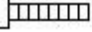



MODEL: \diamond 89560
 \diamond 89570

(1)*1	(2)*1	(3)*1(L)*1(R)
		
(4)*1	(5)*1	
		

! Please unscrew all screws from cushion before assembly.

- (A)*8  #12 Wood Cap
- (B)*4  N6x70 Screws for Frame
- (C)*4  M6x50 Screws for Back Cushion
- (D)*3  M6x20 Screws for Seat Cushion

