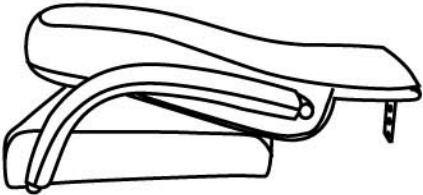

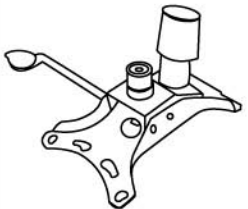






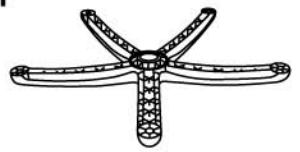


Please unscrew all hardware from cushion before assembly.
Por favor de destornillar todos los tornillos del cojín antes de ensamblar la silla.

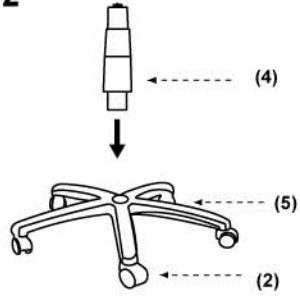
MODEL: B9701 B9706 B9701C B9706C

(1)x1		(2)x5	
			
Back & Seat W/ ARMS		Caster	
(3)x1	(4)x1	(5)x1	
			
Mechanism	Gas Lift W/ Cover	5-Star Base	
(A)x4		M8*22	MECHANISM SCREW
(B)x4		M8*30	L-bar Screw
(C)x4		ARM CAP	
(D)x1		ALLEN KEY	

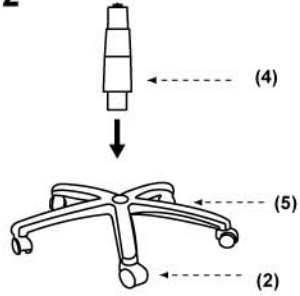
1



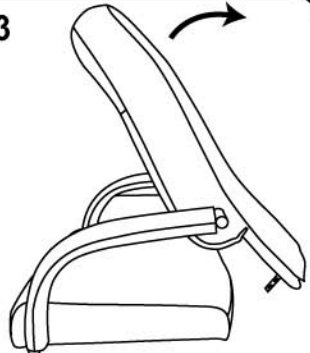
PUSH IN
*You may use a mallet if necessary.



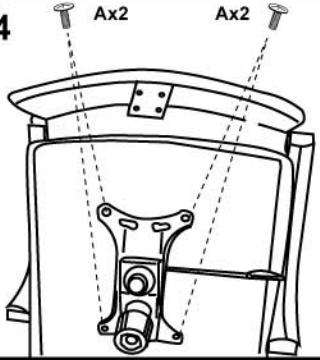
2



3

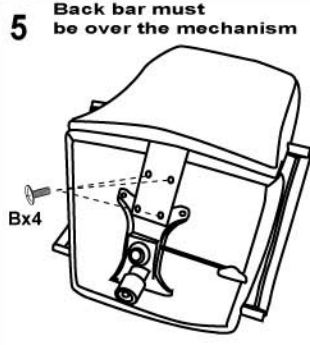


4

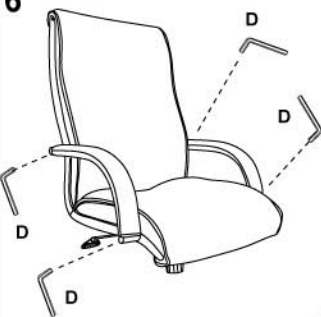


5

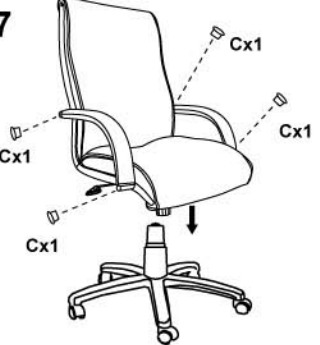
Back bar must be over the mechanism



6




7



Note: Please tighten all arm screws using allen key before step 7

Insert and loosely tighten all screws. When assembly is completed, fully tighten all screws before using. This chair is only intended for sitting. Any other use will void the warranty.



Customer Service Hotline: 1-800-593-1888
 For further assembly instructions,
 please visit our website at www.bosschair.com