

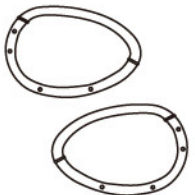
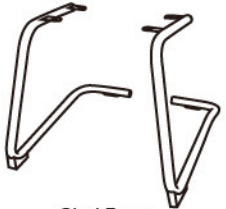





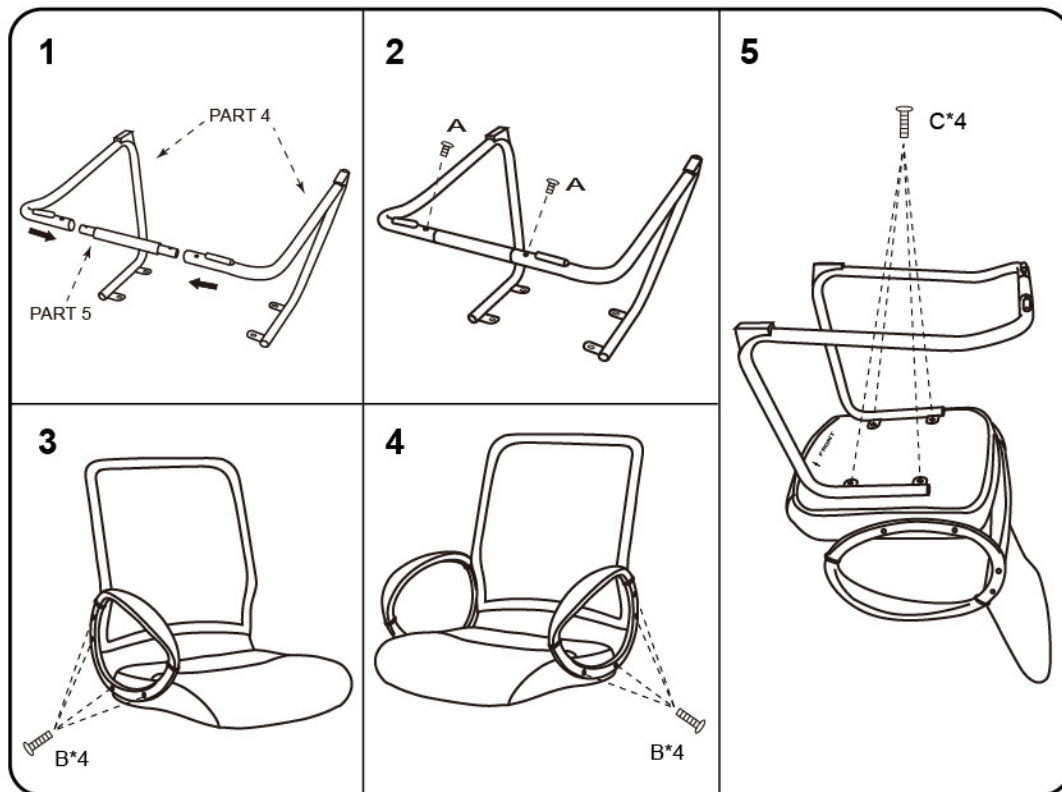


**IMPORTANT NOTICE:  
HARDWARE PACKAGE IS ATTACHED  
ON THE BOTTOM OF SEAT CUSHION.**

MODEL : 6409

(1)x1	(2)x1	(3)x1 (L)x1 (R)
		
Back Cushion	Seat Cushion	Left & Right-Arm
(4)x1	(5)x1	(6)x1
		
Sled Base	Connecting Bar	
(A)x2		M6 X 16 <b>CONNECTING BAR SCREW</b> (Please find these 2 screws on sled base.)
(B)x8		M6 X 30 <b>ARM SCREW</b>
(C)x4		M6 X 22 <b>SLED BASE / SEAT SCREW</b>
(D)x1		<b>ALLEN KEY</b>



**Insert and loosely tighten all screws. When assembly is completed, fully tighten all screws before using. This chair is only intended for sitting. Any other use will void the warranty.**

