


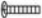
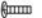

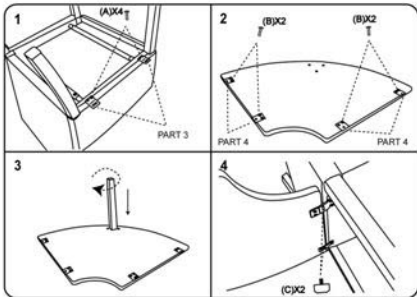
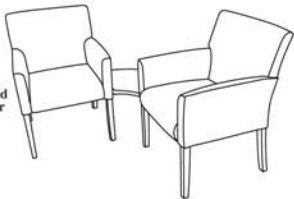


B6CT

(1)X1		(2)X1	
 <p>Corner Table</p>		 <p>Table Leg</p>	
(3)X4		(4)X4	
 <p>Ganging Clamp</p>			
(A)x4		M6*26	
(B)x4		M6*16	
(C)x4			



Insert and loosely tighten all screws. When assembly is completed, fully tighten all screws before using. This chair is only intended for sitting. Any other use will void the warranty.



Customer Service Hotline: 1-800-593-1888
 For further assembly instructions,
 please visit our website at www.bosschair.com