

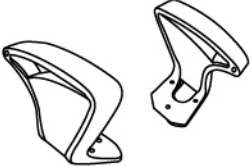


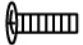





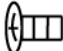
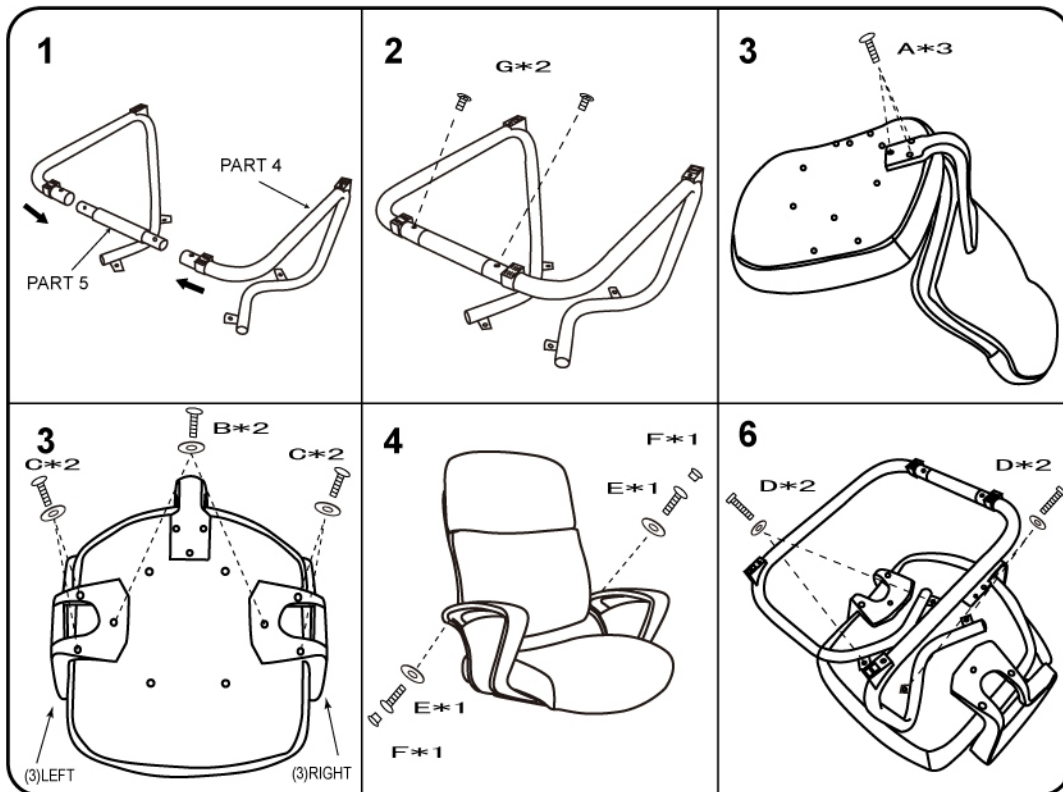


Please unscrew all hardware from cushion before assembly.  
 Por favor de destornillar todos los tornillos del cojín antes de ensamblar la silla.

**MODEL:AAMA40-BK B9669**

(1)x1	(2)x1	(3)x1 (L)x1 (R)
 TUAMA-MB Back	 TUAMA-S Seat	 TUAMA-RA & LA - Right & Left Arm
(4)x1	(5)x1	
 TU003-1009 FRAME	 TU003-1009CB Connecting Bar	

- (A)x3  M6\*30 back bar
- (B)x2  M6\*25 center arm
- (C)x4  M6\*30 outer arm
- (D)x4  M8\*22 sled base
- (E)x2  M6\*40 arm/back
- (F)x2  insert caps
- (G)x2  M6\*8 connecting bar tube



Insert and loosely tighten all screws. When assembly is completed, fully tighten all screws before using. This chair is only intended for sitting. Any other use will void the warranty.

**Customer Service Hotline: 1-866-598-5036**  
 For further assembly instructions,  
 please visit our website at  
[www.ariaoffice.com](http://www.ariaoffice.com)

