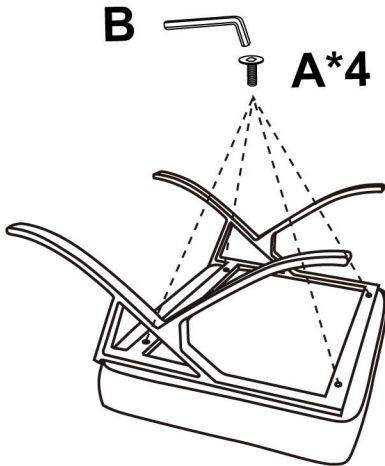


Assembly Instructions

Model:BR99301

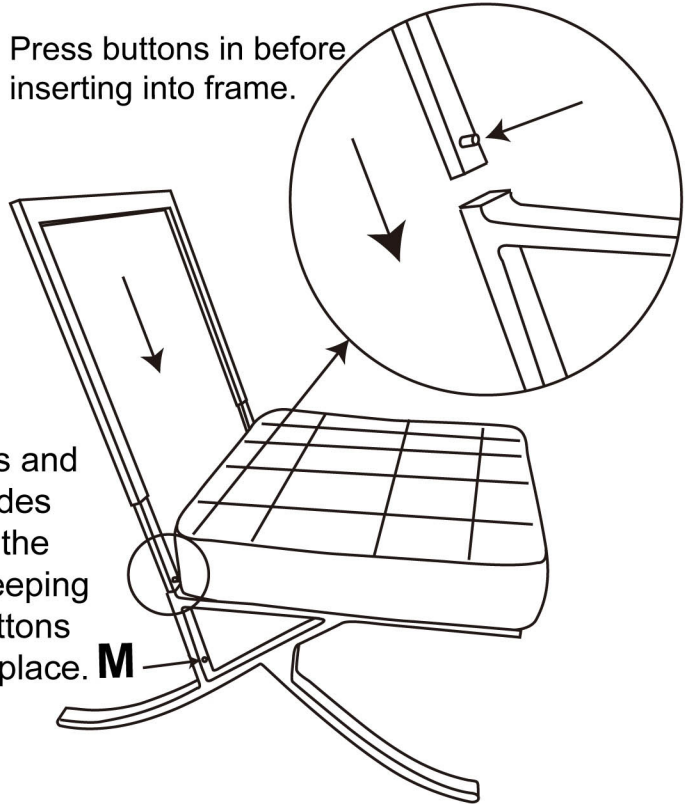
Step 1



Press buttons in before inserting into frame.

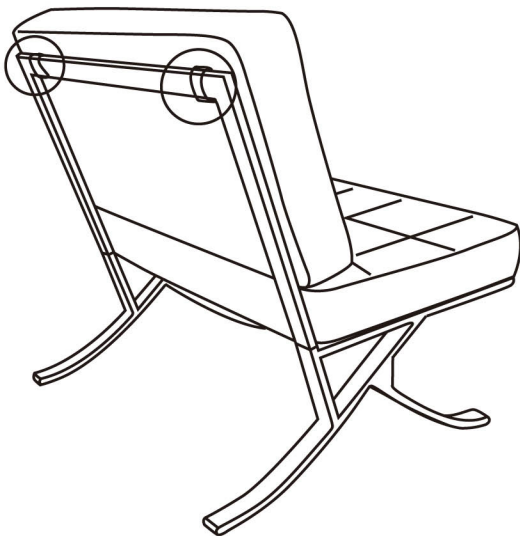
Step 2

Press buttons and insert both sides into frame at the same time keeping even until buttons lock into "M" place.

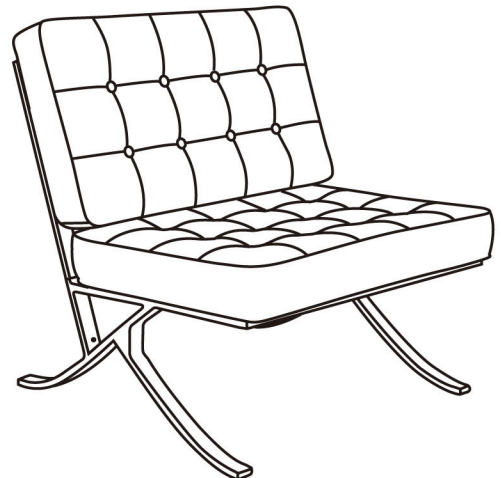


Step 3

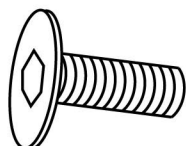
Wrap velcro straps around frame as shown to hold cushion firmly in place.



Step 4



Ax4



Bx1

