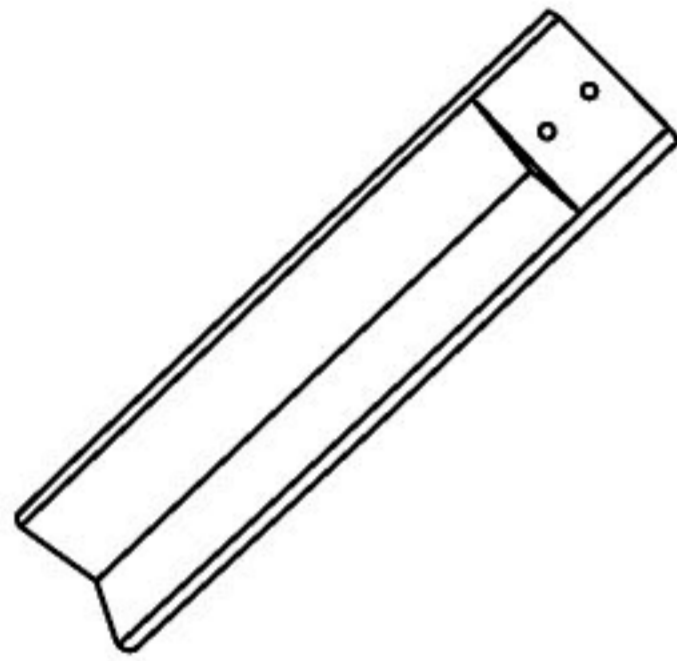
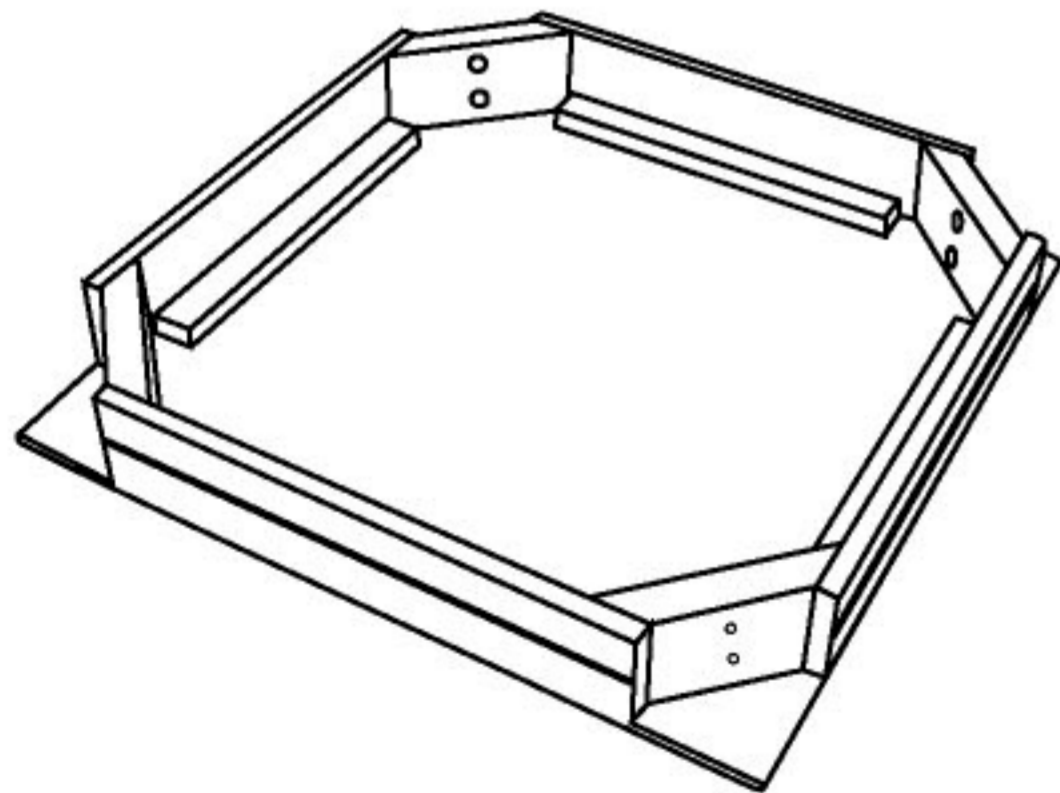


BTM22 BT022

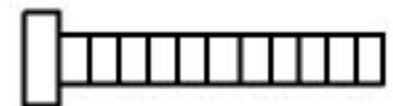
(1)x 4



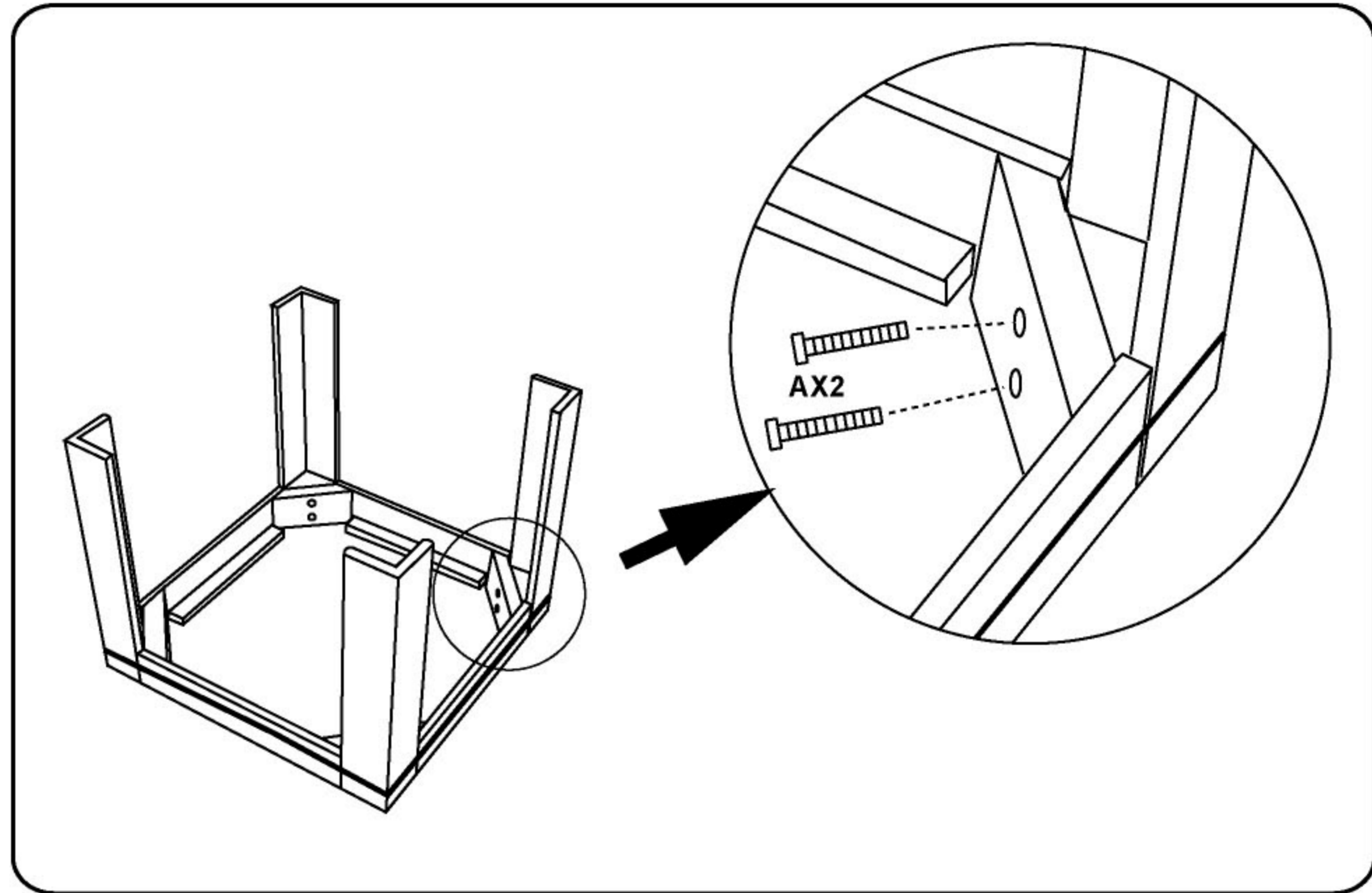
(2)x1



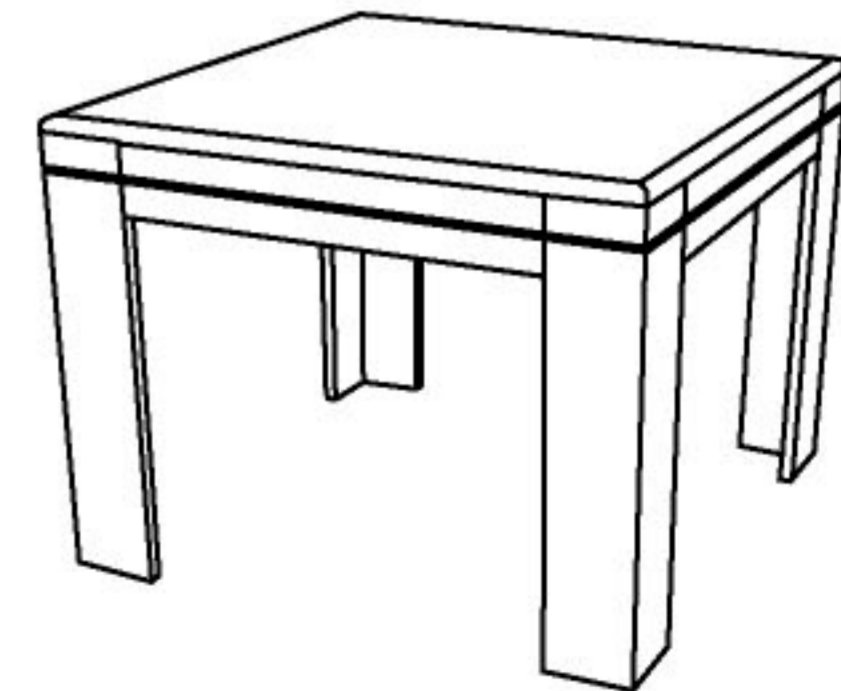
(A)x8



M6X50



- 1.Lay table top upside down on solid protected surface;
 - 2.Match up the number marked on table top & table leg before insert the screws;
- * Max.weight capacity:155 Lbs.



Customer Service Hotline:
19-42-26-86
01 55 19-42-26-86