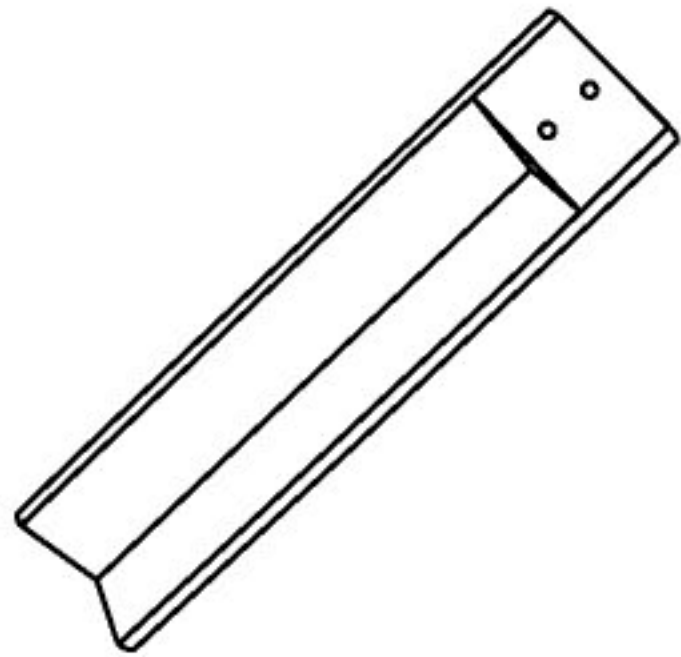


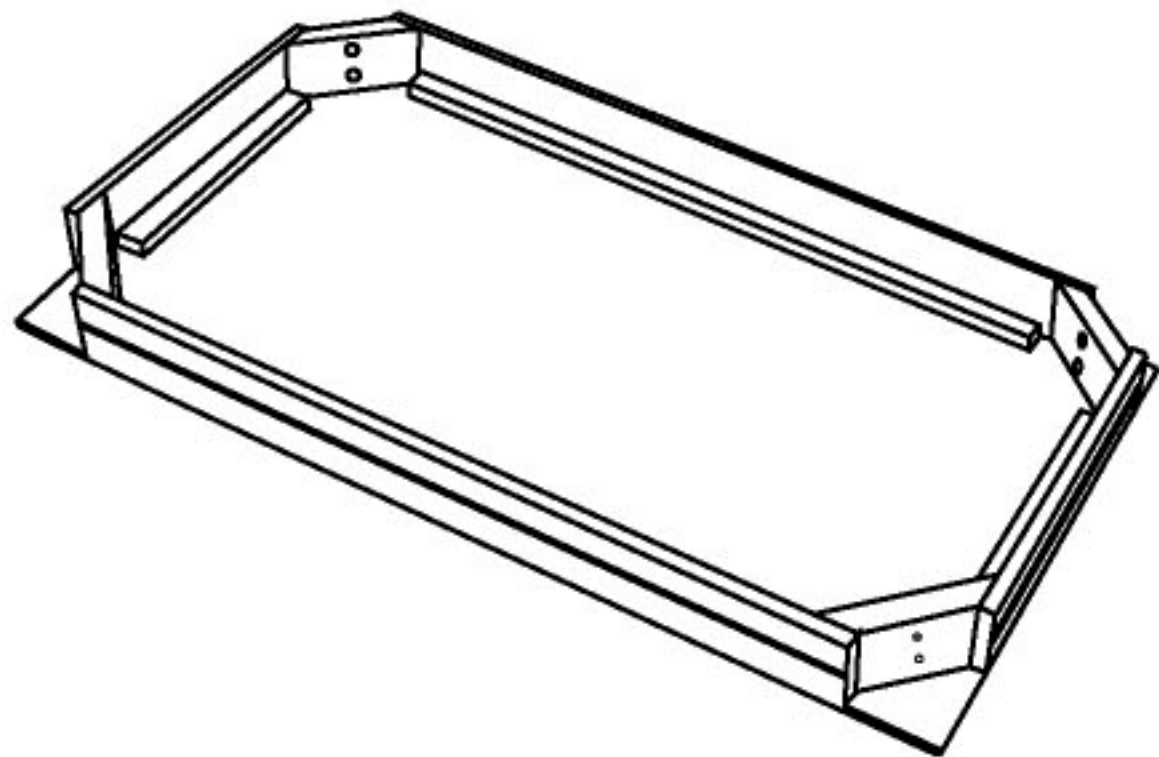
BTM48

BT048

(1)x 4



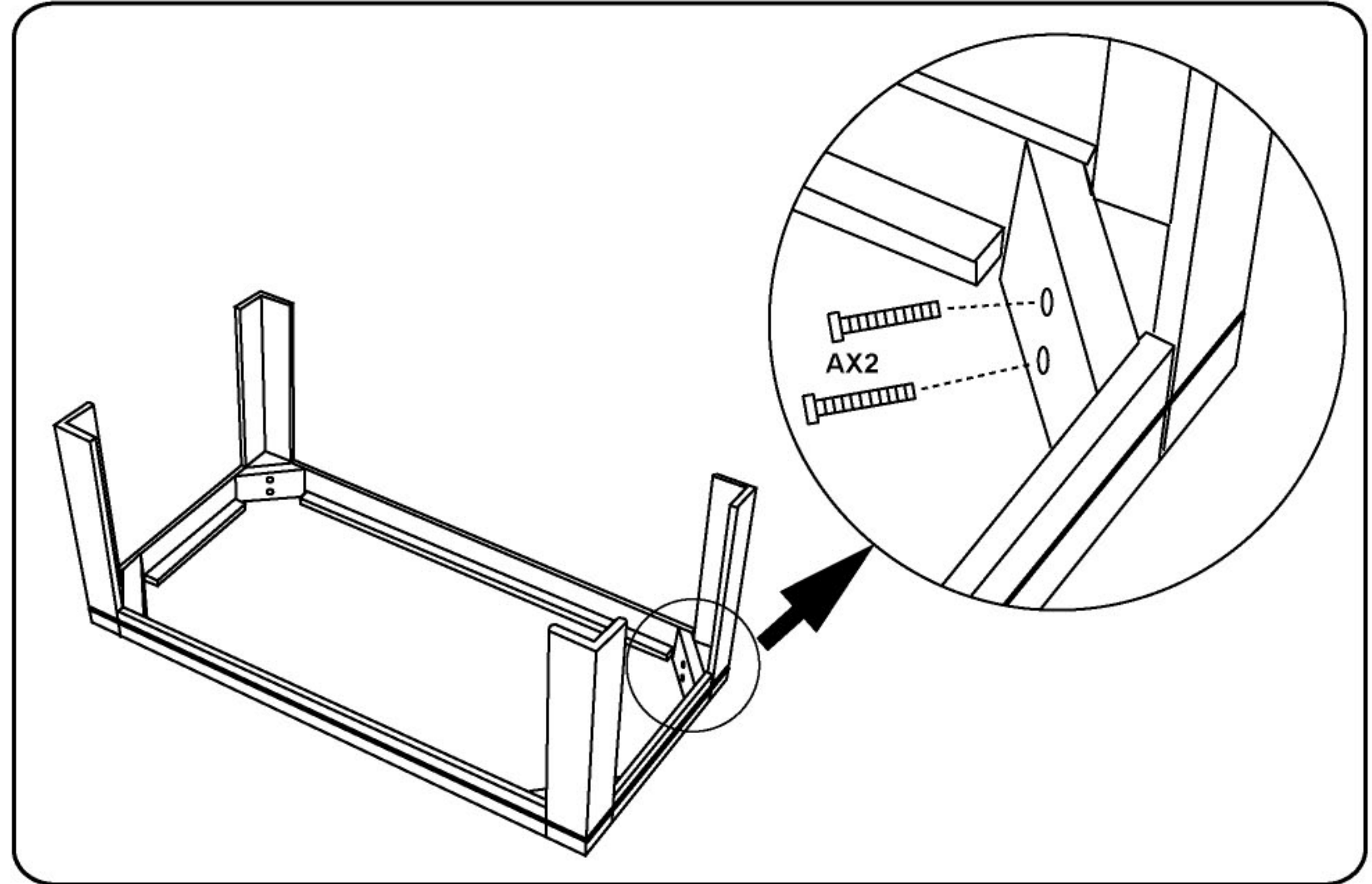
(2)x1



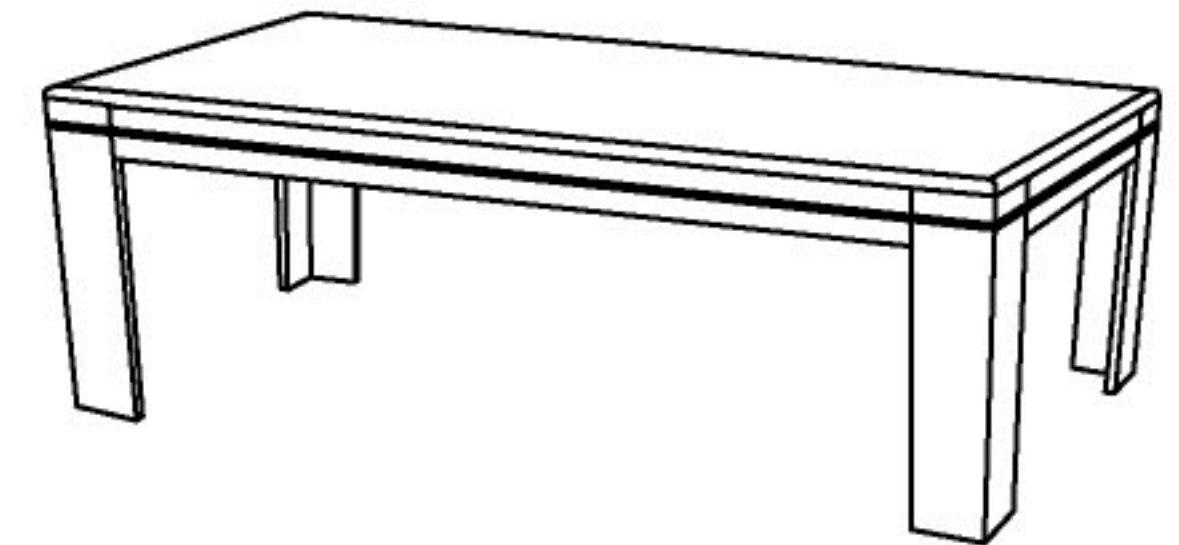
(A)x8



M6X50



1. Lay table top upside down on solid protected surface;
  2. Match up the number marked on table top & table leg before insert the screws;
- \* Max.weight capacity:155 Lbs.



**Customer Service Hotline:**

**19-42-26-86**

**01 55 19-42-26-86**