

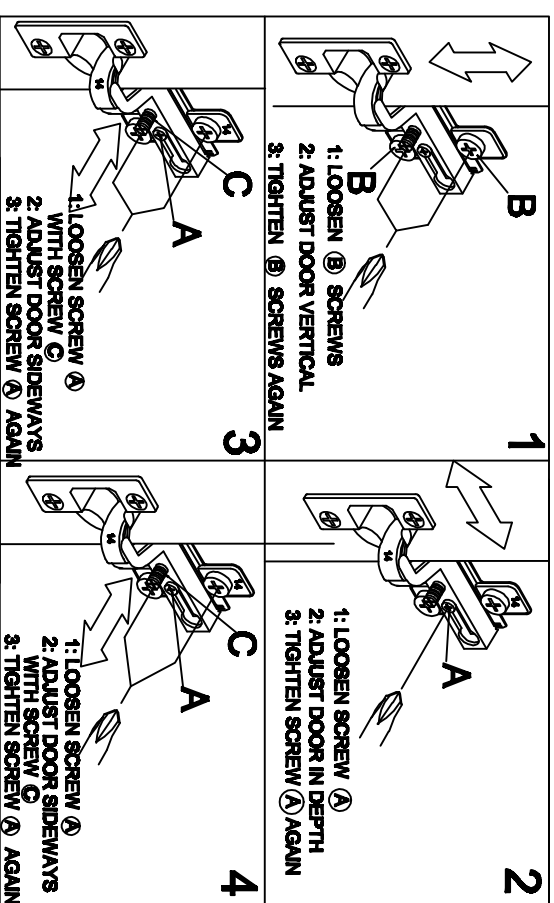
Assembly Instructions

MODEL NO.:N144

HUTCH WITH DOORS

Please note that hinges for side/center doors are different:

1. Do not mix bag #E & #F
2. Assemble side doors first, then assemble the center doors.



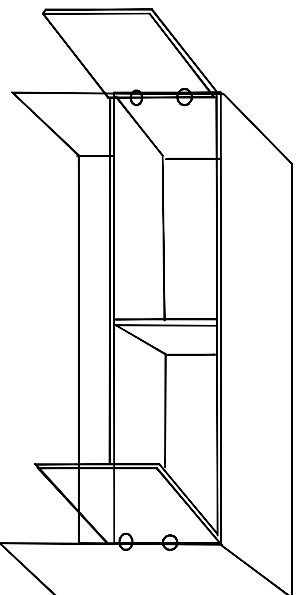
ATTENTION!

These hinges are for Left/Right Side Doors assembly only.

F



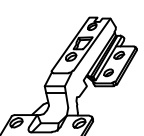
The hinges are goose-neck type for Left/Right sides



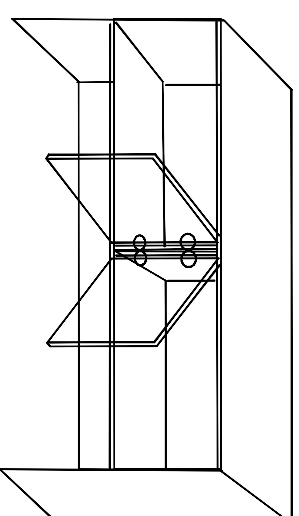
ATTENTION!

These hinges are for Center Doors assembly only.









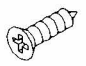
E



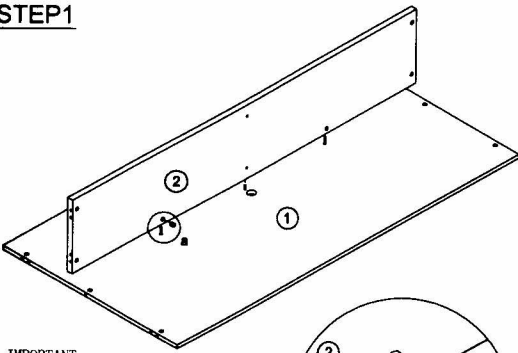
The hinges are straight type for center doors




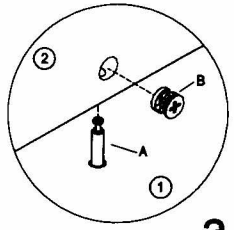
Assembly Instructions
MODEL NO.:N144
 HUTCH WITH DOORS

A  Cam Lock 20Pcs+5Pcs(spare)	B  Klix Cam 20Pcs+5Pcs(spare)	C  Dowel 16Pcs+2Pcs(spare)	D  Center Door Hinge 4Pcs	E  Side Door Hinge 4Pcs	F  35mm Black Grommet 1Pcs	G  JCBC W Screw M7*2" 2Pcs	H  Screw #4*5/8" 32Pcs+5Pcs(spare)	I  Screw for tack board 6Pcs+1Pc(spare)
--	--	---	--	--	---	--	---	--

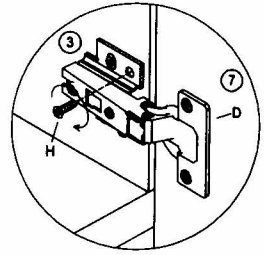
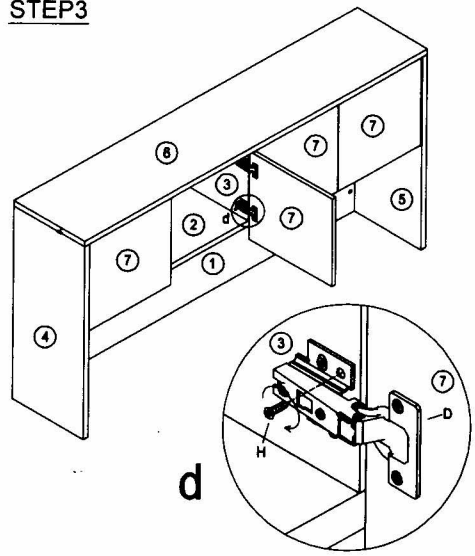
STEP1



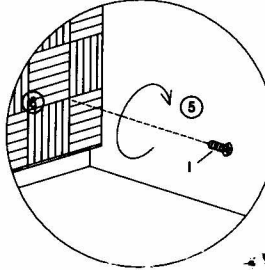
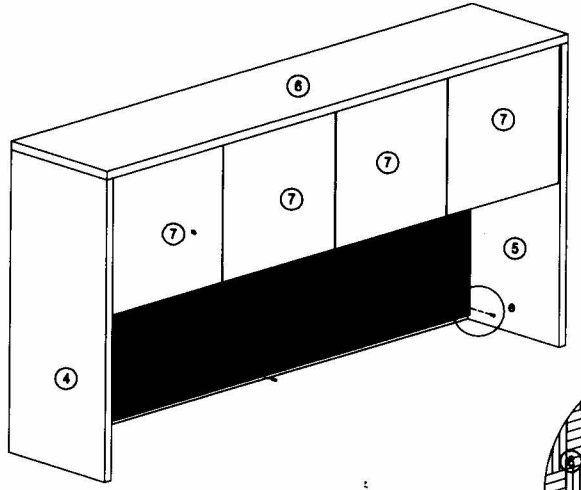
IMPORTANT:
FUNCTION OF KLIX CAM
 1/4 RIGHT TURN FOR LOCKING
 MAKE SURE THE ARROW IS POINTING UPWARDS BEFORE INSERTING INTO THE PANEL'S HOLE.



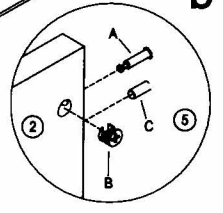
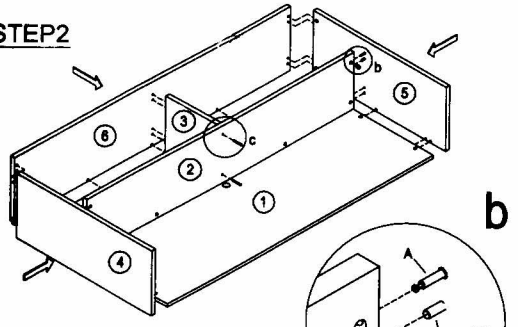
STEP3



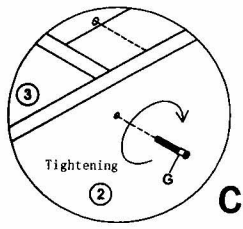
STEP4



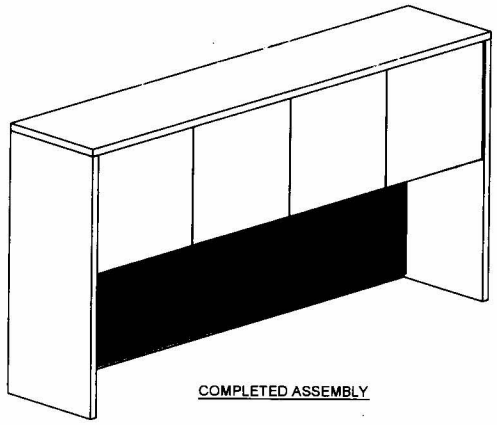
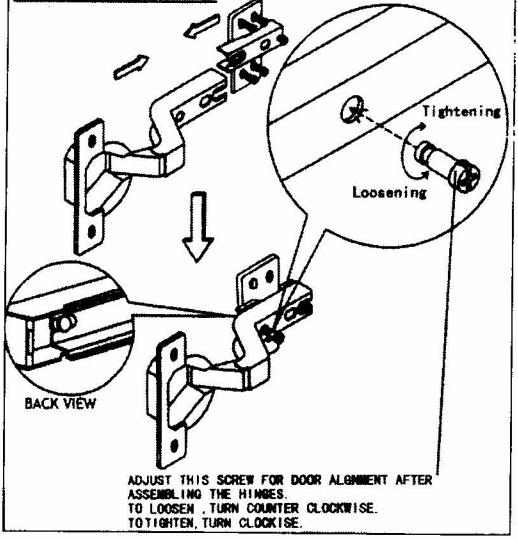
STEP2



CAUTION: LOCATE G SCREW DO NOT TIGHTEN UNTIL TOP 6 INSTALLED



DETAIL X-X



COMPLETED ASSEMBLY



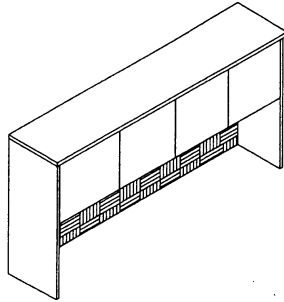
IMPORTANT NOTE:

- Place all laminated parts on a clean and smooth surface such as a rug or carpet to avoid the parts from being scratched.
- Check to be sure that you have all parts and hardware.
- Remove all wrapping materials, including staples & packing straps before you start to assemble.
- Don't tighten all screws/bolts until all completely assembled.
- Keep all hardware parts out of reach of children.
- It is recommended to require 2 persons to complete the assembly.

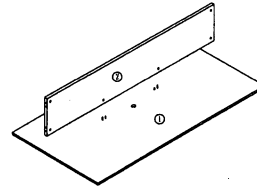
ASSEMBLY INSTRUCTIONS
MODEL N144-HUTCH WITH DOORS

COMPONENTS:

- (1) BACK PANEL
- (2) CENTER SHELF
- (3) SHELF DIVIDER
- (4) SIDE PANEL
- (5) SIDE PANEL
- (6) TOP PANEL
- (7) DOORS
- (8) TACK BOARD

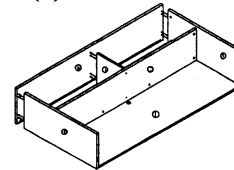


STEP ONE:



PLACE BACK PANEL (1) ON FLAT SURFACE AND INSTALL CAM LOCKS (A) AND DOWELS ©

INSTALL CAM LOCKS (A) AND DOWELS(C) INTO CENTER SHELF (2) AND AFFIX TO BACK PANEL (1) WITH KLIX CAMS (B) AS DIRECTED. ILLUSTRATION (a).



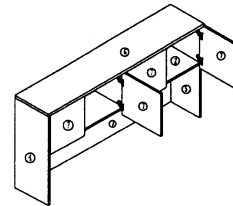
STEP TWO:

LOCATE SHELF DIVIDER (3) AND PLACE SCREWS (G) INTO CENTER SHELF (2) DO NOT TIGHTEN SEE ILLUSTRATION ©

INSTALL CAM LOCKS (A) AND DOWELS (C) INTO SIDES PANEL (4) AND (5) AFFIX TO BACK PANEL (1) AND CENTER SHELF WITH KLIX CAMS (B) AS DIRECTED (b)

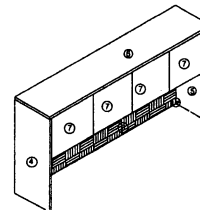
INSTALL CAM LOCKS (A) AND DOWELS (C) INTO TOP PANEL (6) THEN AFFIX TO SIDES PANEL (4) AND (5), AND SHELF DIVIDER (3) WITH KLIX CAM (B)

TIGHTEN SCREWS (G) THROUGH CENTER SHELF (2) INTO SHELF DIVIDER (3). ILLUSTRATION (c)



STEP THREE:

INSTALL CENTER DOOR HINGES (D) TO INTERIOR DOORS (7) WITH SCREWS (H) AS ILLUSTRATION (d) AND EXTERIOR DOORS (7) WITH SIDE DOOR HINGES (E) WITH SCREWS(H). SEE DETAIL X-X FOR ALIGNMENT.



STEP FOUR:

INSTALL TACK BOARD INTO THE BACK WITH SCREWS (I) AS ILLUSTRATION(e). INSTALL GROMMET (F) INTO BACK PANEL (1).