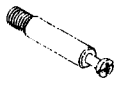

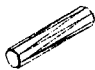
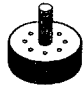
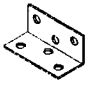
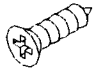
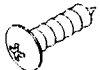



# Assembly Instructions MODEL NO.:N147

Bullet Desk

TUN010CL	TUN011KC	<i>TUN026</i>	TUN021AG	TUN013LB	TUN018SC	<i>TUN028SC</i>
<b>A</b>  Cam LOCK 9PCS	<b>B</b>  Klix Cam 9PCS	<b>C</b>  Dowel 5PCS	<b>D</b>  Adjustable Glide 4PCS	<b>E</b>  6 Hole L-Bracket 2PCS	<b>F</b>  Screw #4*5/8" 12PCS	<b>G</b>  Screw #5*4/5" 4PCS

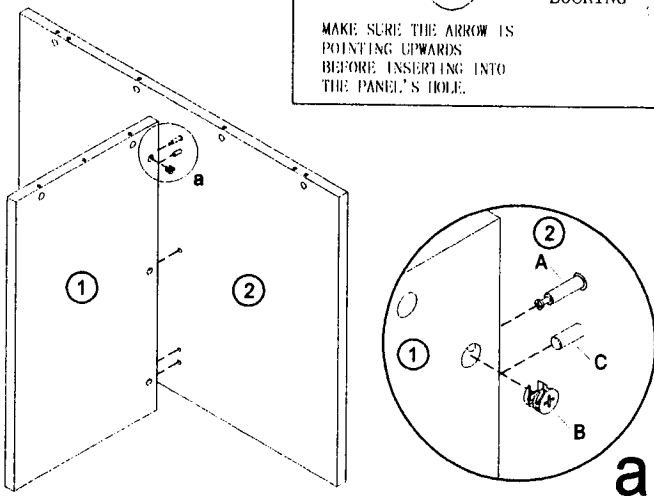
## STEP1

**IMPORTANT:**  
**FUNCTION OF KLIX CAM**

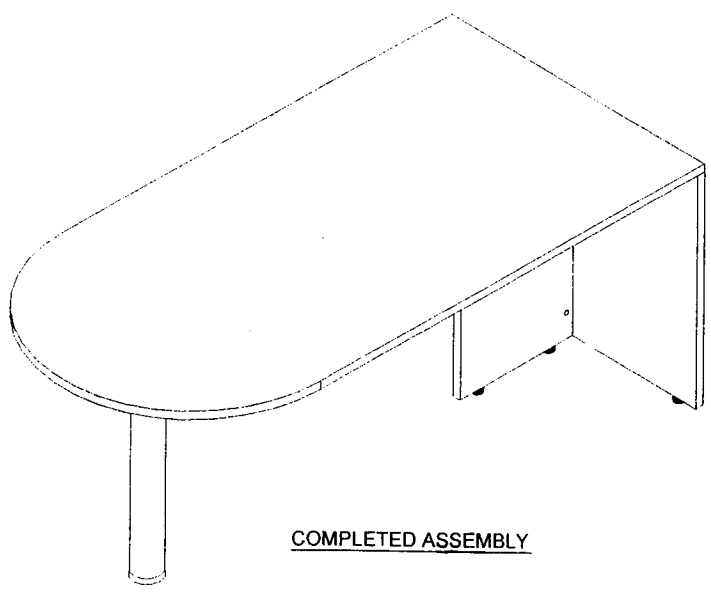
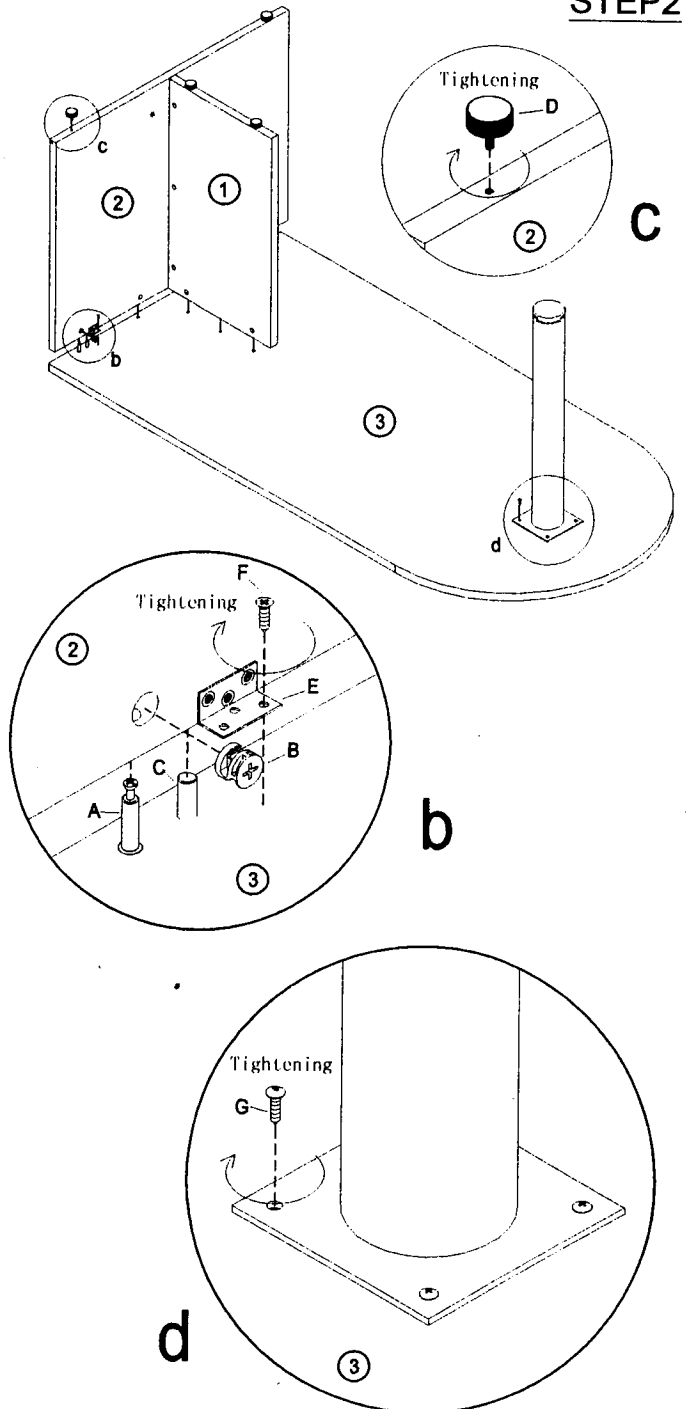


1/4 RIGHT  
TURN FOR  
LOCKING

MAKE SURE THE ARROW IS  
POINTING UPWARDS  
BEFORE INSERTING INTO  
THE PANEL'S HOLE.



## STEP2



COMPLETED ASSEMBLY

**IMPORTANT NOTE:**

- Place all laminated parts on a clean and smooth surface such as a rug or carpet to avoid the parts from being scratched.
- Check to be sure that you have all parts and hardware.
- Remove all wrapping materials, including staples & packing straps before you start to assemble.
- Don't tighten all screws/bolts until all completely assembled.