
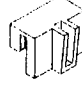


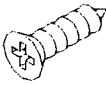

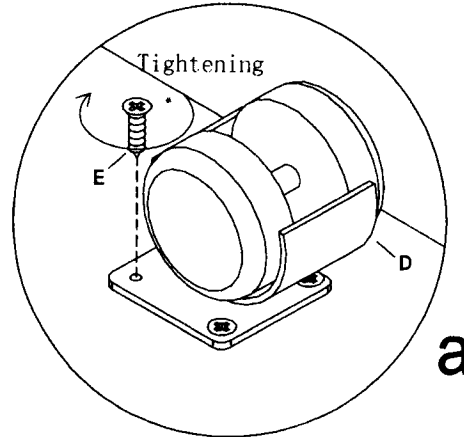
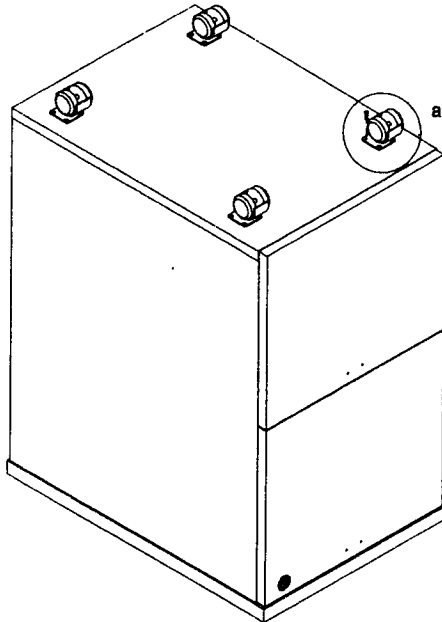
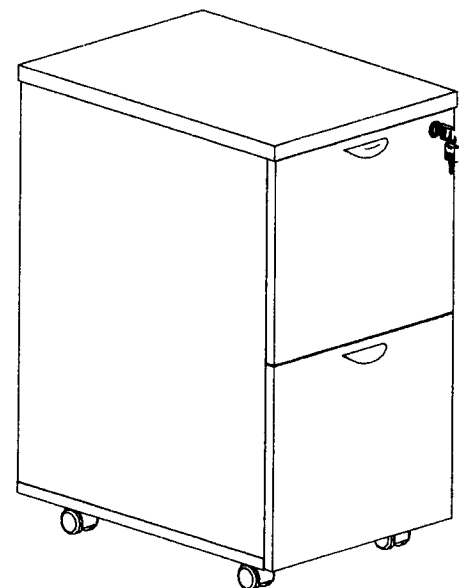
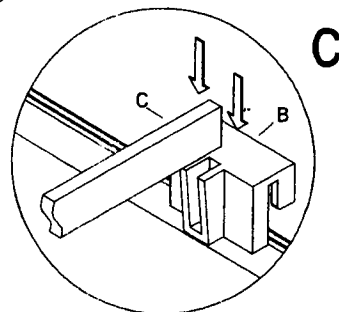
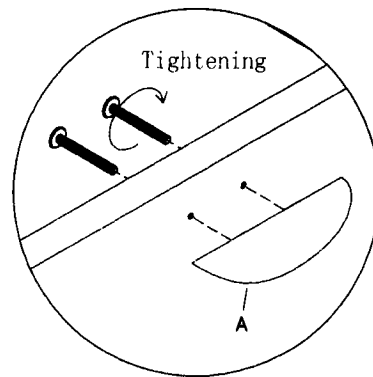
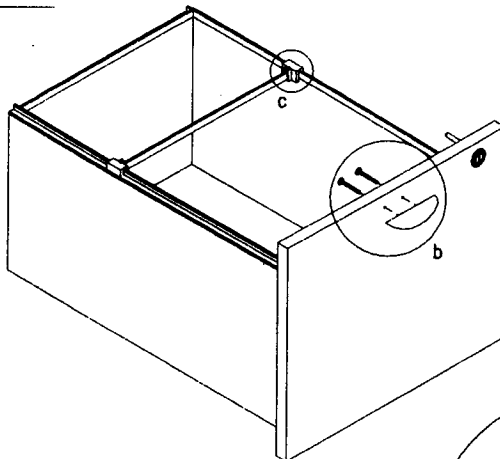


Assembly Instructions  
**MODEL NO.:N149**  
 MOBILE PEDESTAL

TUN005MI	TUN001FC	TUN002AB	TUN049CT	TUN018SC	
<b>A</b>  32mm Metal Scallop Shape Handle 2 Sets	<b>B</b>  File Clip 4 Pcs	<b>C</b>  300*16*3mm Aluminum Bar 2 Pcs	<b>D</b>  Castors H55mm 4 Pcs	<b>E</b>  Screw #4*5/8" 16 Pcs	<b>F</b>  Keys 1 Set

**STEP1****STEP2****COMPLETED ASSEMBLY****IMPORTANT NOTE:**

- Place all laminated parts on a clean and smooth surface such as a rug or carpet to avoid the parts from being scratched.
- Check to be sure that you have all parts and hardware.
- Remove all wrapping materials, including staples & packing straps before you start to assemble.
- Don't tighten all screws/bolts until all completely assembled.