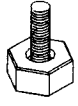

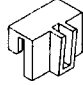




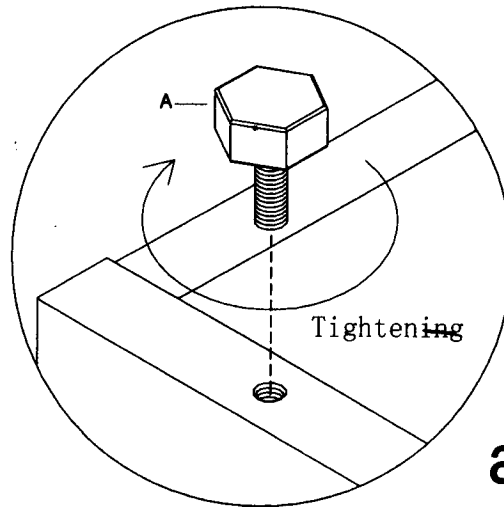
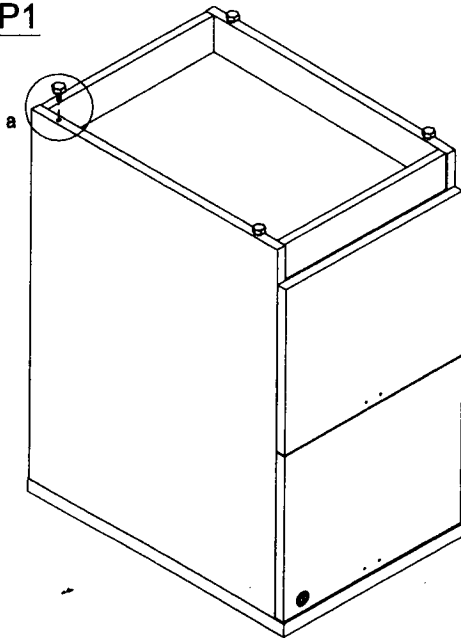
# Assembly Instructions

## MODEL NO.: N175

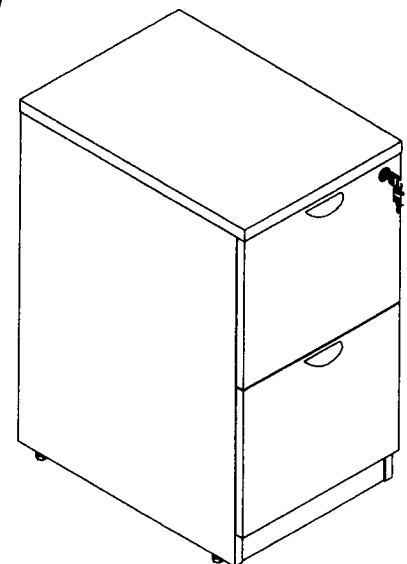
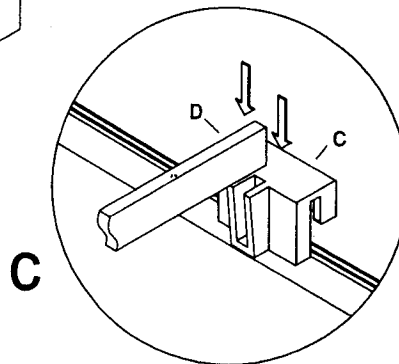
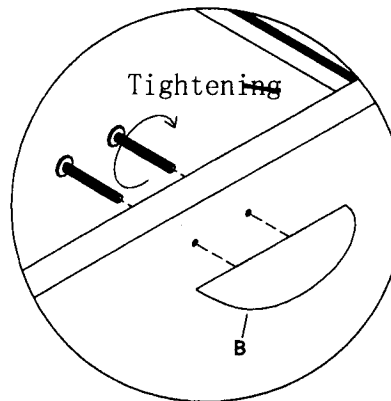
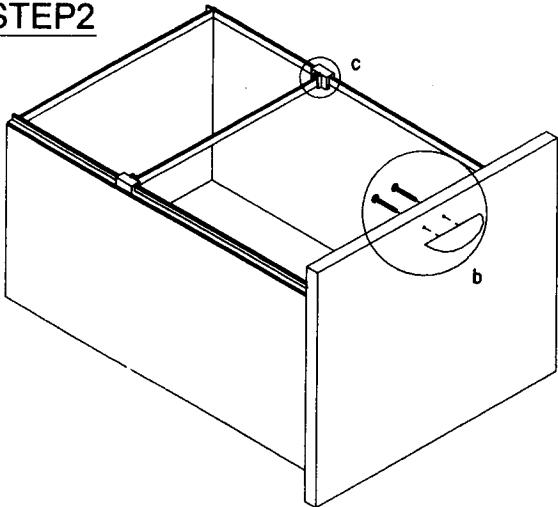
FILE/FILE PEDESTAL

TUN030AG	TUN005MH	TUN001FC	TUN002AB	
<b>A</b>  Adjustable Glide 4 Pcs	<b>B</b>  32mm Metal Scallop Shape Handle 2 Sets	<b>C</b>  File Clip 4 Pcs	<b>D</b>  300*16*3mm Aluminum Bar 2 Pcs	<b>E</b>  Keys 1 Set

### STEP1



### STEP2



COMPLETED ASSEMBLY

### IMPORTANT NOTE:

- Place all laminated parts on a clean and smooth surface such as a rug or carpet to avoid the parts from being scratched.
- Check to be sure that you have all parts and hardware.
- Remove all wrapping materials, including staples & packing straps before you start to assemble.
- Don't tighten all screws/bolts until all completely assembled.