






Assembly Instructions
MODEL NO.:N200


R4/06

KEYBOARD TRAY

TUN010CL	TUN011RC			
A  Cam LOCK 2PCS	B  Klix Cam 2PCS	C  Dowel 3PCS	D  Side Rail 1Set	E  Screw #3*12 12Pcs

IMPORTANT:

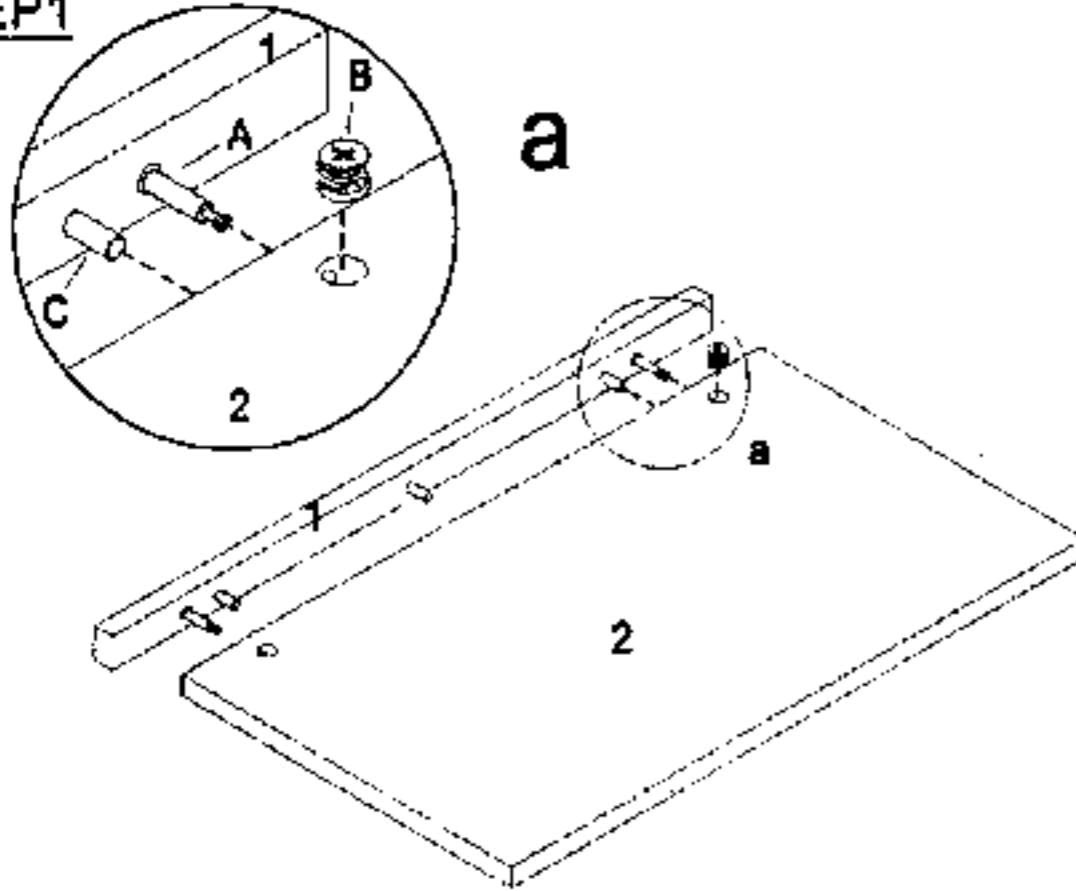
FUNCTION OF KLIX CAM



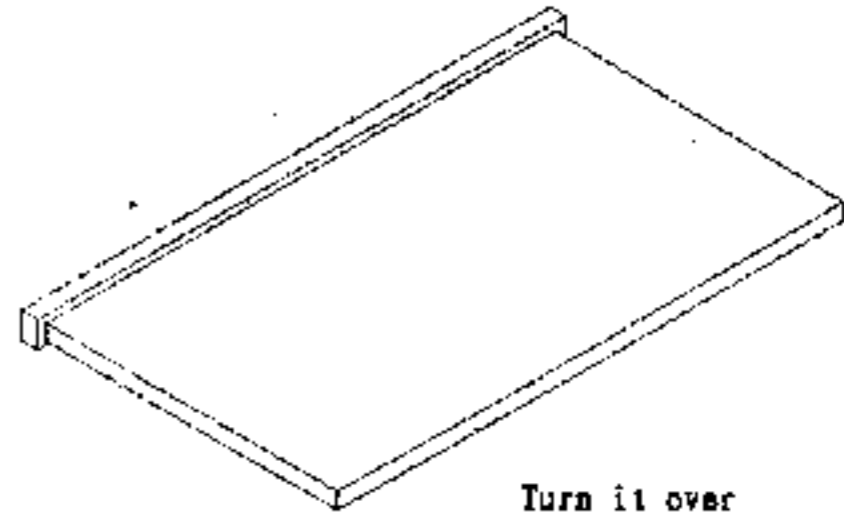
1/4 RIGHT
TURN FOR
LOCKING

MAKE SURE THE ARROW IS
POINTING UPWARDS
BEFORE INSERTING INTO
THE PANEL'S HOLE.

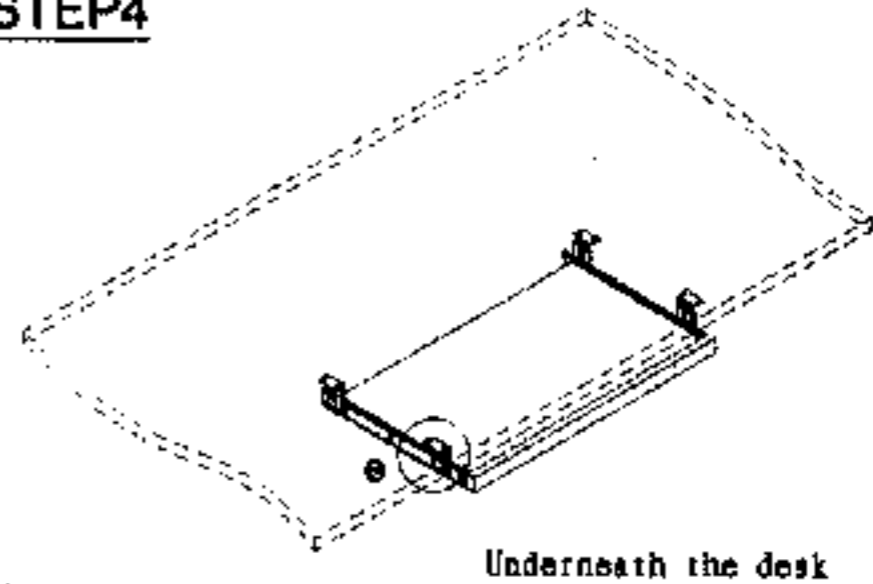
STEP1



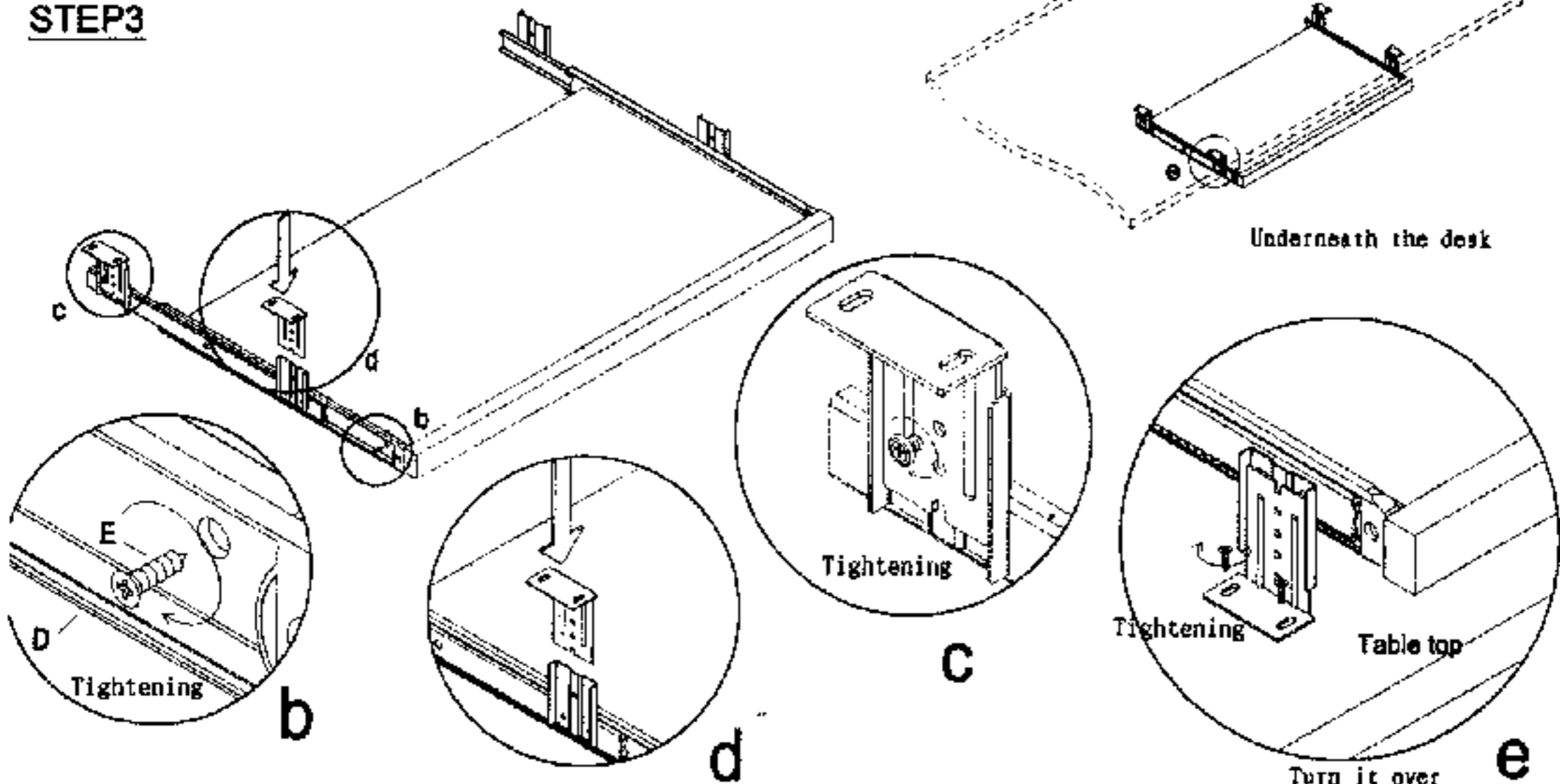
STEP2



STEP4



STEP3



IMPORTANT NOTE:

- Place all laminated parts on a clean and smooth surface such as a rug or carpet to avoid the parts from being scratched.
- Check to be sure that you have all parts and hardware.
- Remove all wrapping materials, including staples & packing straps before you start to assemble.
- Don't tighten all screws/bolts until all completely assembled.
- Keep all hardware parts out of reach of children.