


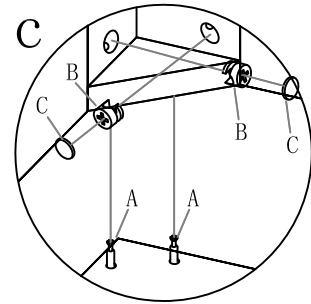
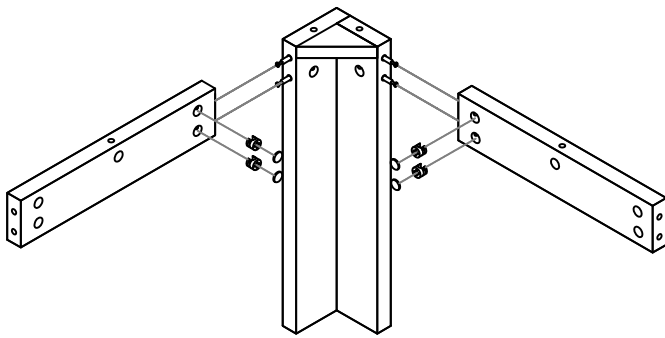


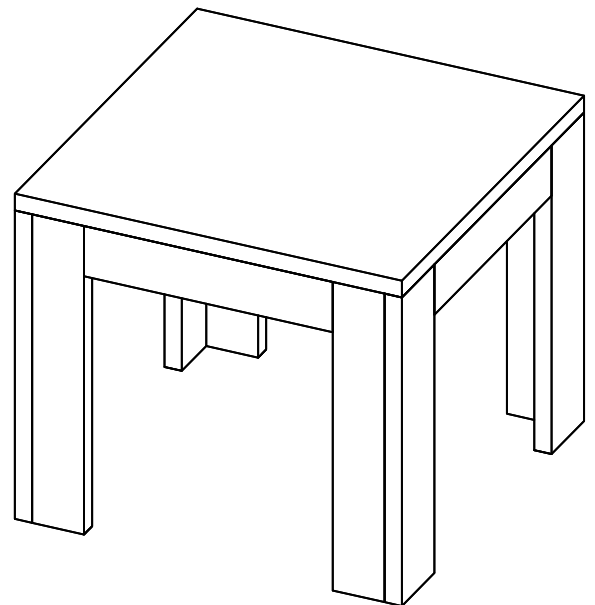
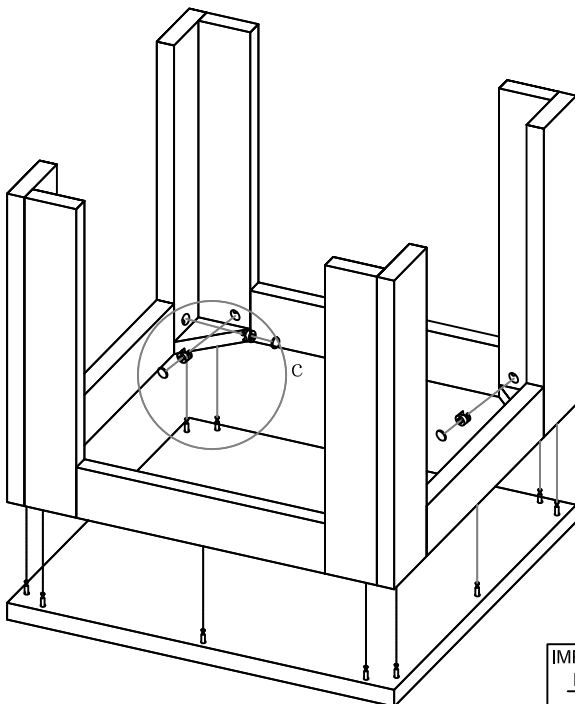
Assembly Instructions
MODEL NO. : N22
 END TABLE

TUN010CL	TUN010KL	
A  Cam lock 28Pcs	B  Klix Cam 28Pcs	C  Cam Cover 28Pcs

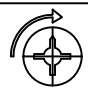
STEP1



STEP2



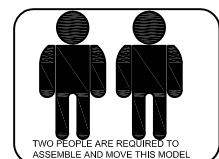
IMPORTANT:
 FUNCTION OF KLIX CAM



1/4 RIGHT
 TURN FOR
 LOCKING

MAKE SURE THE ARROW IS
 POING UPWARDS BEFORE
 INSERTING INTO THE PANELS
 HOLE

COMPLETED ASSEMBLY



IMPORTANT NOTE:

- Place all laminated parts on a clean and smooth surface such as a rug or carpet to avoid the parts from being scratched.
- Check to be sure that you have all parts and hardware.
- Remove all wrapping materials, including staples & packing straps before you start to assemble.
- Don't tighten all screws/bolts until all completely assembled.
- Keep all hardware parts out of reach of children
- If the product is not working properly, is missing a part, is damaged, or if you have any questions, please call customer service hotline before returning.
- Customer Service Hotline: 1-800-593-1888 For further assembly instructions, please visit our website at www.boschair.com